



## 2W Full C-Band Block Up Converter

### KEY FEATURES

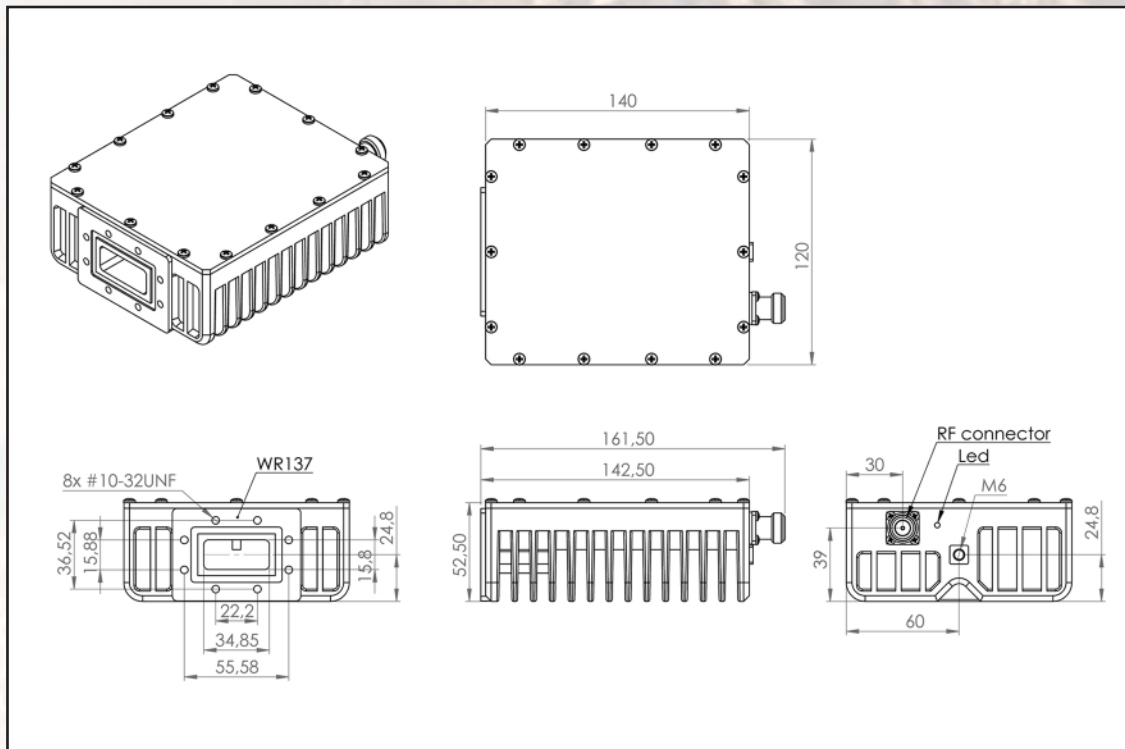
- ◆ Output frequency 5.850-7.05 GHz
- ◆ Double- L.O. (manually switchable 4.9 & 5.5 GHz)
- ◆ Incomparable low power consumption (15W)
- ◆ Utilizing GaN technology
- ◆ Incomparable low phase noise
- ◆ Digital temperature compensation
- ◆ Field-exchangeable (F/N) IF connector
- ◆ Internal 10MHz high stability  $10^{-8}$  reference (optional)
- ◆ L.O., alarm, lock LED
- ◆ RoHS compliant

### ABA2XC / ABA2XCF



This smallest and lightest 2W L-To C-Band Block Up Converter is based on GaN technology. High power efficiency resulting in the lowest power consumption. The unit covers all three C-Band sub-bands: Standard (5.850-6.425GHz), Palapa (6.365-6.725 GHz) and Insat (6.725-7.05 GHz).

### Mechanical Drawing





## 2W Full C-Band Block Up Converter

TECHNICAL SPECIFICATIONS	
<b>RF frequency</b>	5.850 to 7.05 GHz
<b>Dual local oscillator</b>	4.90 and 5.50 GHz
<b>IF frequency</b>	950 to 1,550 MHz
<b>Output power</b>	2W (+33 dBm min.)
<b>IF connector</b>	N-type or F-type (field-exchangeable)
<b>Power supply : auto-ranging via IF connector</b>	+15 VDC ~ +28 VDC via IF cable 15W max.
<b>Output interface</b>	CPR 137 G
<b>Internal 10MHz high stability reference</b>	10 <sup>-8</sup>
<b>Gain</b>	60 dB nominal
<b>IMD3 (two tones)</b>	-26 dBc max. 2 signal 5 MHz apart at P-LINEAR
<b>L.O. leakage</b>	-45 dBm max
<b>Spurious</b>	-50 dBc max
<b>Spectral regrowth</b> (QPSK at 1.5x and OQPSK at 1.0x symbol rate offset with 2dB back-off from rated output power)	-30 dBc
<b>Requirement for external reference:</b> frequency input power	<b>via IF cable</b> 10 MHz (sine-wave) -5 to +5 dBm @ input port
<b>TX Gain variation</b>	± 0.5 dB over 40 MHz
<b>TX Gain stability over temperature range</b>	± 1.8 dB over full band ± 1.5 dB typ., ± 1.8 dB max.
<b>Phase noise</b>  (Exceeds Intelsat's standard IESS308/309)	-53 dBc/Hz max. @ 10 Hz
	-63 dBc/Hz max. @ 100 Hz
	-73 dBc/Hz max. @ 1 KHz
	-83 dBc/Hz max. @ 10 KHz
	-93 dBc/Hz max @ 100 KHz
	-113 dBc/Hz max @ 1 MHz
<b>Noise power density</b>	<b>Transmit</b> <b>Receive</b>
	-66 dBm/Hz (max) -157 dBm/Hz (max)
<b>Noise figure</b>	15 dB max
<b>Input V.S.W.R.</b>	2 : 1 max
<b>Output V.S.W.R.</b>	2 : 1 max.
<b>Mute</b>	Shut off the HPA if L.O. unlocked
<b>Status LED</b>	<b>RED</b> <b>GREEN</b> <b>YELLOW</b> <b>YELLOW blinking</b>
	Summary alarm All OK All OK standard L.O. 4.90 GHz All OK extended L.O. 5.50 GHz
<b>Temperature range (ambient)</b>	operating
	storage
	-40 deg C to +55 deg C -55 deg C to +85 deg C
<b>Vibration and shock</b>	Complies with MIL-STD-810E
<b>Dimensions &amp; housing</b>	142.5 (L) x 120 (W) x 52.5 (H) mm
	5.61" (L) x 4.72" (W) x 2.06" (H)
<b>Weight</b>	1 kg (2.2 lbs) max