



2W 5.850-6.425 GHz C-Band BUC

KEY FEATURES

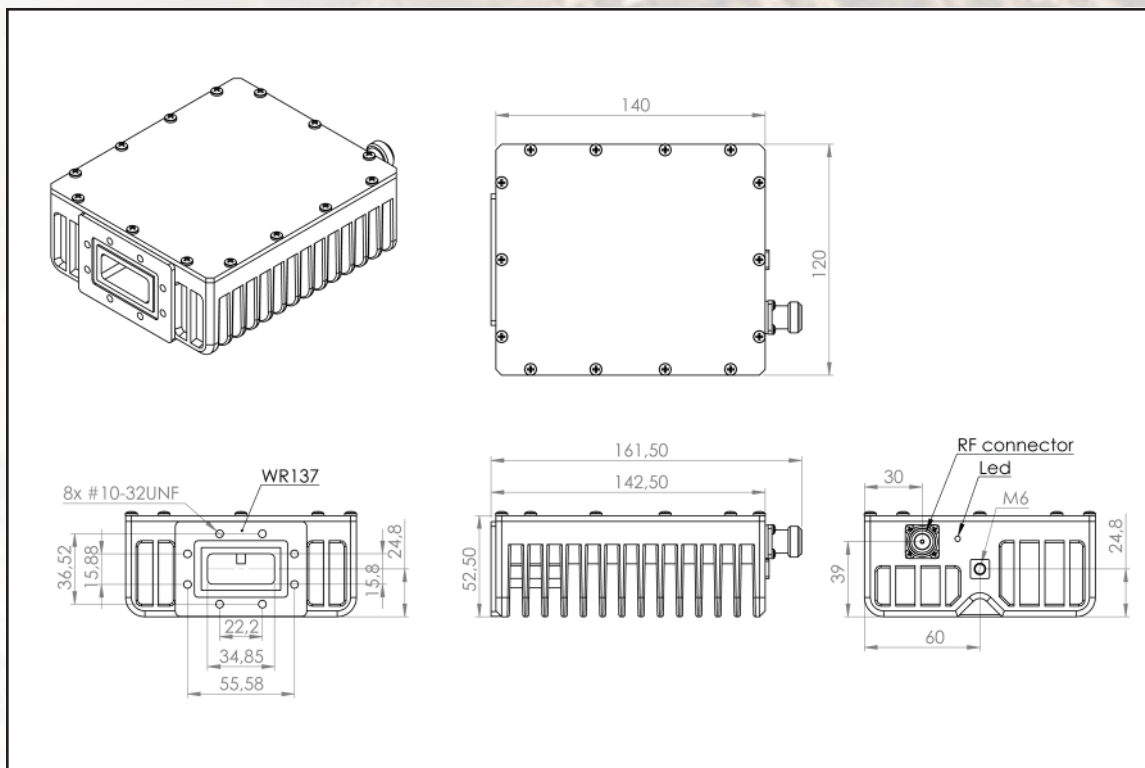
- ◆ Output frequency 5.85-6.425 GHz
- ◆ Based on GaN technology which enables high efficiency, low power consumption and high reliability.
- ◆ Incomparable low power consumption (15W max.)
- ◆ Utilizing GaN technology
- ◆ Local oscillator 4.9 GHz
- ◆ Auto-ranging powering option 15 - 60 VDC
- ◆ Digital temperature compensation
- ◆ Field-exchangeable (F/N) IF connector
- ◆ Power and lock status LED
- ◆ RoHS compliant

ABE2SC / ABE2SCF



This smallest and lightest 2W L-To C-Band Block Up Converter is based on GaN technology. High power efficiency resulting in the low current (<1.17 amps @ 24VDC). The unit covers Standard (5.85-6.425 GHz) C-Band frequencies.

Mechanical Drawing





2W 5.850-6.425 GHz C-Band BUC

TECHNICAL SPECIFICATIONS	
RF frequency	5.850 to 6.425 GHz
Local oscillator	4.90 GHz
IF frequency	950 to 1,525 MHz
Output power	2W (+33 dBm min.)
IF connector	N-type or F-type (field-exchangeable)
Power supply : auto-ranging via IF connector	+15 VDC ~ +60 VDC via IF cable 15W max.
Output interface	CPR 137 G
Gain	60 dB nominal
IMD3 (two tones)	-26 dBc max. 2 signal 5 MHz apart at P-LINEAR
L.O. leakage	-45 dBm max
Spurious	-50 dBc max
Spectral regrowth (QPSK at 1.5x and OQPSK at 1.0x symbol rate offset with 2dB back-off from rated output power)	-30 dBc
Requirement for external reference: frequency input power	via IF cable 10 MHz (sine-wave) -5 to +5 dBm @ input port
TX Gain variation	± 0.5 dB over 40 MHz
TX Gain stability over temperature range	± 1.8 dB over full band ± 1.5 dB typ., ± 1.8 dB max.
Phase noise (Exceeds Intelsat's standard IESS308/309)	-53 dBc/Hz max. @ 10 Hz -63 dBc/Hz max. @ 100 Hz -73 dBc/Hz max. @ 1 KHz -83 dBc/Hz max. @ 10 KHz -93 dBc/Hz max @ 100 KHz -113 dBc/Hz max @ 1 MHz
Noise power density	Transmit -66 dBm/Hz (max) Receive -157 dBm/Hz (max)
Noise figure	15 dB max
Input V.S.W.R.	1.5 : 1 max
Output V.S.W.R.	1.5 : 1 max.
Mute	Shut off the HPA if L.O. unlocked
Status LED	RED Summary alarm GREEN All OK YELLOW All OK standard L.O. 4.90 GHz
Temperature range (ambient)	operating -40 deg C to +55 deg C storage -55 deg C to +85 deg C
Vibration and shock	Complies with MIL-STD-810E
Dimensions & housing	142.5(L) x 120 (W) x 52.5 (H) mm 5.61" (L) x 4.72" (W) x 2.06" (H)
Weight	1 kg (2.2 lbs) max